

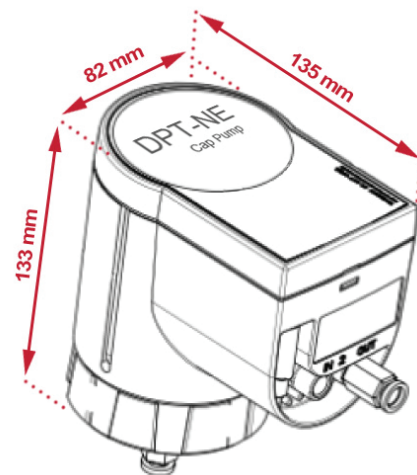
Home of

— INTELLIGENCE —
Cap Pumps

DPT-NE is easy-to-use
and long-lasting cap pump
for demanding dosing.

The unique construction and built-in features of the DPT-NE CAP PUMP provide carefree and economical cleaning solutions for various applications.

- ◆ Suitable for use with: acids, alkali, bacteria etc.
- ◆ Mounted directly in the place of the original container cap
- ◆ Pump characteristics:
 - pump type: peristaltic
 - capacity: 60–350 ml
 - external feeding tube: max length 100 m, max rise 25 m
- ◆ Power supply input 24V dc / 0.2 ... 0.3 A
- ◆ Protection class: IP 44
- ◆ Temperature range (operation/storage): 0 ... +55C / -20 ... +65C
- ◆ Physical dimensions without container tube/sensor accessory
 - 135 x 82 x 133 mm
- ◆ Weight approx. 1 kg



Mounting directly on a 5–25L container or a 200L barrel.

InnTech

InnTech Europe Ltd.
Sinikalliontie 12
02630 Espoo, Finland
Tel. +358 50 388 6633
info@inntech.fi
www.inntech.fi